

# Bakery, Biscuit and Snacks Conveyor and Processing Belts for the Bakery Industry

Habasit–Solutions in motion



Introduction	3
Process overview: Hearth bread processing	4
Process overview: Bread and bun processing	5
Process overview: Flatbread line	6 – 7
Process overview: Puff pastry dough processing	8
Process overview: Biscuit manufacturing	9
Process overview: Baked, salty snacks / Direct expanded snacks	10 – 11
Variety of product ranges	12
Variety of belt surfaces / styles	13 – 13a
Bakery application and possible belt types	14 – 15a
The Habasit website	15b
Features and benefits	16 – 20
Services – General services	21
Services – Customized services	22
The Habasit Solution	23

## Product liability, application considerations

If the proper selection and application of Habasit products are NOT recommended by an authorized Habasit sales specialist, the selection and application of Habasit products, including the related area of product safety, are the responsibility of the customer.

All indications / information are recommendations and believed to be reliable, but no representations, guarantees, or warranties of any kind are made as to their accuracy or suitability for particular applications. The data provided herein are based on laboratory work with small-scale test equipment, running at standard conditions, and do not necessarily match product performance in industrial use. New knowledge and experiences can lead to modifications and changes within a short time without prior notice.

BECAUSE CONDITIONS OF USE ARE OUTSIDE OF HABASIT'S AND ITS AFFILIATED COMPANIES CONTROL, WE CANNOT ASSUME ANY LIABILITY CONCERNING THE SUITABILITY AND PROCESS ABILITY OF THE PRODUCTS MENTIONED HEREIN. THIS ALSO APPLIES TO PROCESS RESULTS / OUTPUT / MANUFACTURING GOODS AS WELL AS TO POSSIBLE DEFECTS, DAMAGES, CONSEQUENTIAL DAMAGES, AND FURTHER-REACHING CONSEQUENCES.



## Innovation is a key word at Habasit

Habasit has developed an extensive variety of solutions that allow customers to choose the best product for their application.

Special focus of all developments is on the increasing hygiene standards within the food industry. Habasit offers products that comply with HACCP principles and guarantee trouble-free and safe food production. Beyond this, to provide additional safety, Habasit has recently introduced unique products such as **HyGUARD®** and **HabaGUARD®** conveyor belts containing antimicrobial additives, **Cleanline®** food belts coated with a modified polyolefine and **HySAN®**, high oil and fat resistant PVC coated belts.

Special features offer the **TPU non-fray** and **frayless belts**, which minimizes fibre contamination due to their specific fabric construction. Another new development is the high grade **Silicone** coated product range.

A Habasit speciality are the seamless produced **Grabber®** Vertical-Form-Fill-Seal belt and folder-gluer belts for reliable friction-feed applications.

Additional products like **HabasitLINK®** and **KVP** plastic modular belts, **HabaCHAIN®** plastic chains, **HabaSYNC®** timing belts and accessories like cleats, edge-sealing profiles and side-walls complete the range.

Habasit is the only belt supplier to manufacture and offer the full package of fabric based and plastic modular belts.

## More than 60 years of experience

With a comprehensive global network, Habasit is able to respond to any request that you may have with nothing less than an outstanding belting solution of highest quality, tailored to your specific needs.

## Focus on bakery and biscuit processing

Whether handling dough, cooling baked products, molding, cutting or packaging, Habasit offers a complete product range for the bakery, biscuit and snack processing industry.

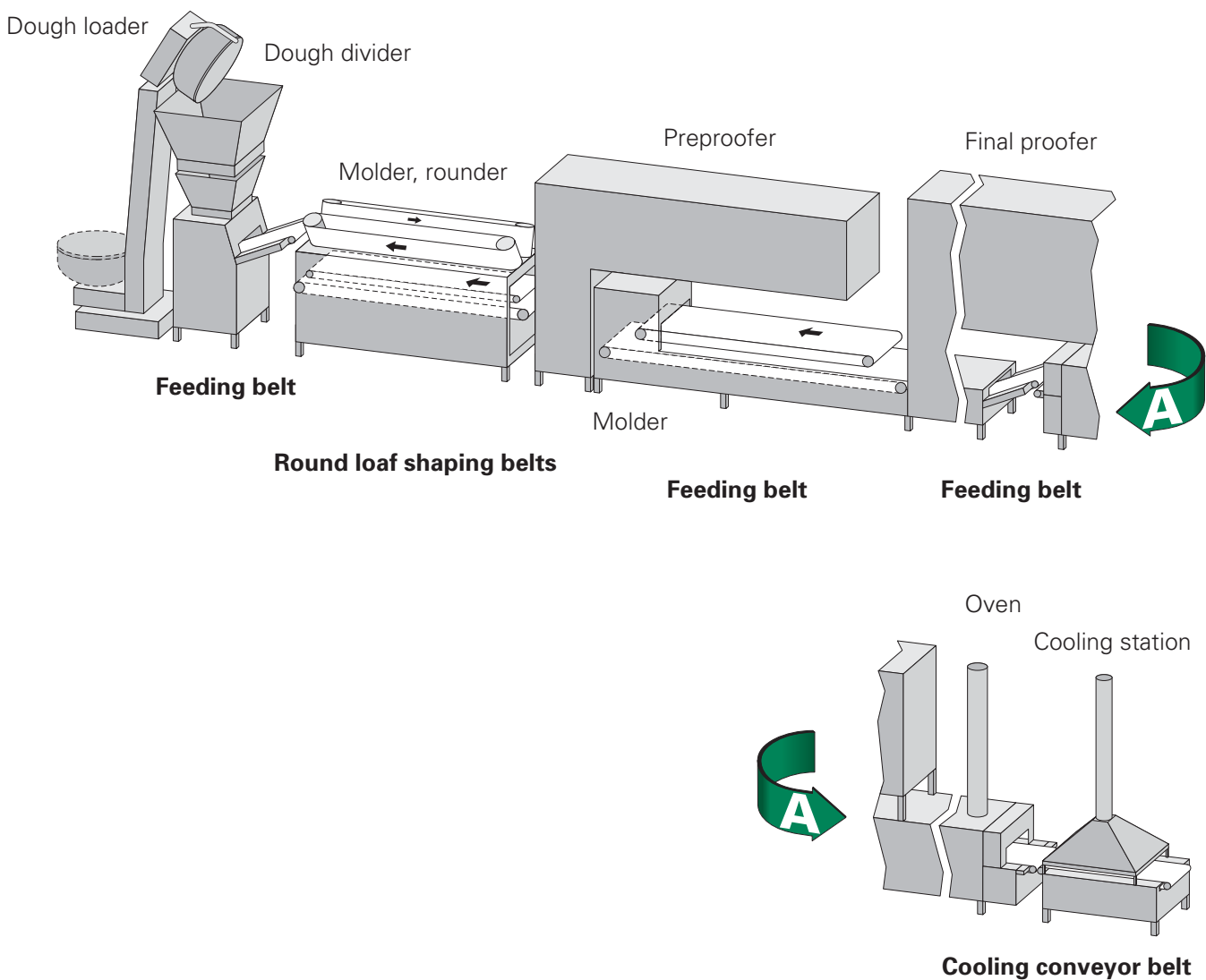
This includes all kind of fabric belts and modular belts with different surface finish.

Image: Paal packaging machinery



# Process / application overview (schematic)

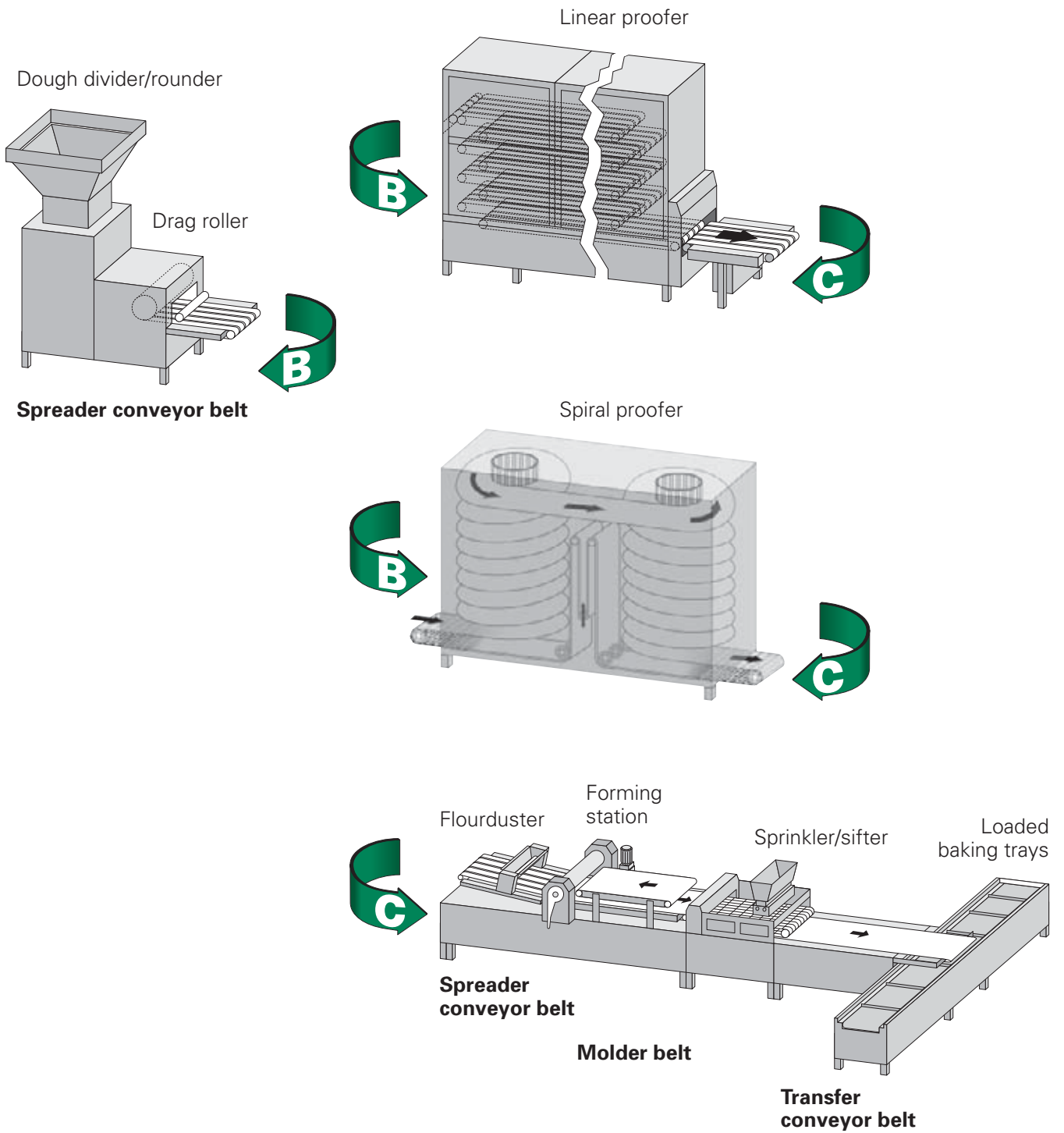
## Hearth bread processing



**Remark:** The drawings are schematic examples of selected applications / processes. The drawings do not claim completeness. The belt recommendations (use / application / layout) are only general suggestions. Due to the complexity of various processes, technical requirements and decisive external influences (e.g. nature or property of transported goods, process speed, steps of treatment / handling, environment or process temperature, humidity, chemicals, additives, ingredients, recipes, etc.) there are many possible solutions.

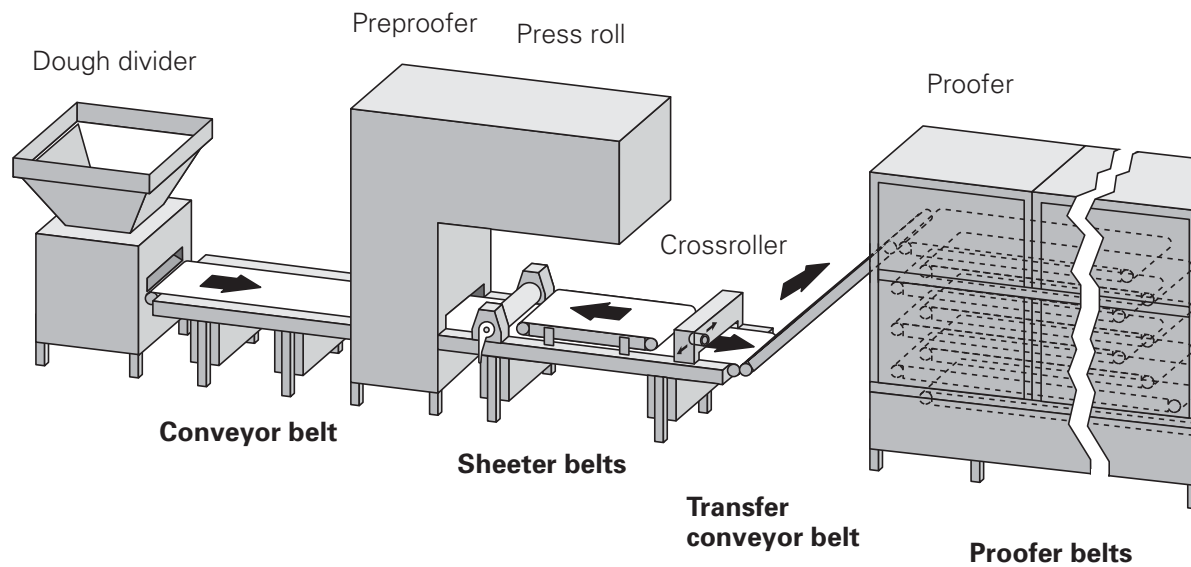
# Process / application overview (schematic)

## Bread and bun processing

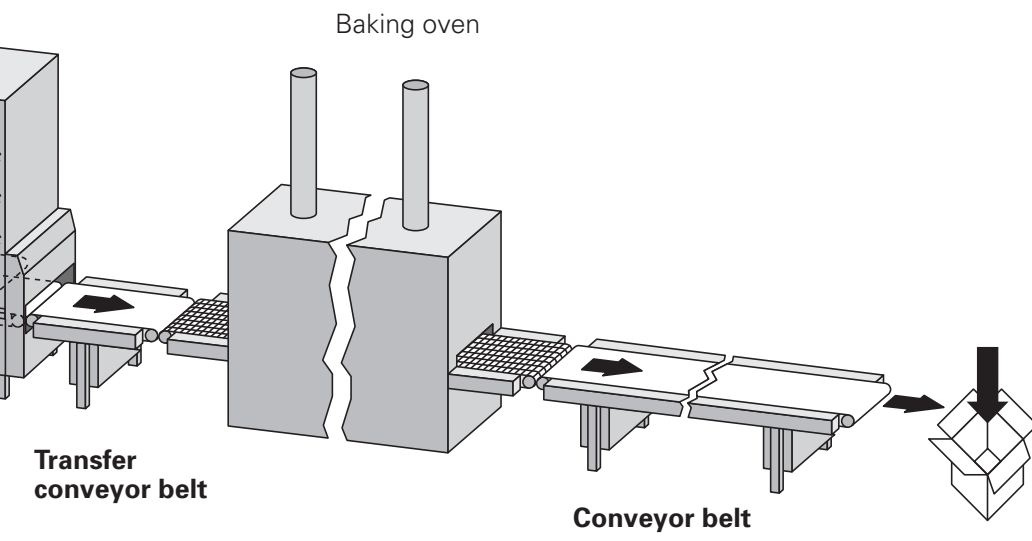


# Process / application overview (schematic)

## Flatbread line

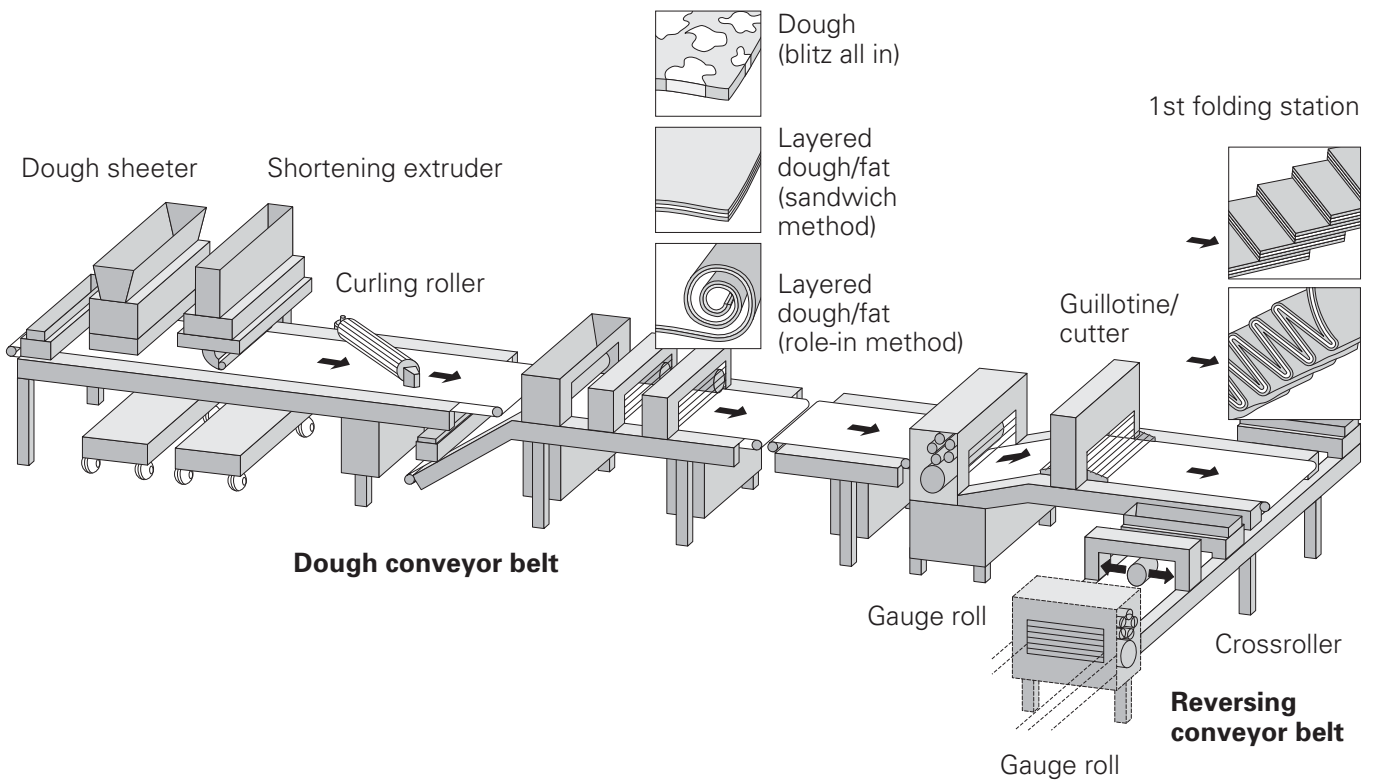


**Remark:** The drawings are schematic examples of selected applications / processes. The drawings do not claim completeness. The belt recommendations (use / application / layout) are only general suggestions. Due to the complexity of various processes, technical requirements and decisive external influences (e.g. nature or property of transported goods, process speed, steps of treatment / handling, environment or process temperature, humidity, chemicals, additives, ingredients, recipes, etc.) there are many possible solutions.



# Process / application overview (schematic)

## Puff pastry dough processing



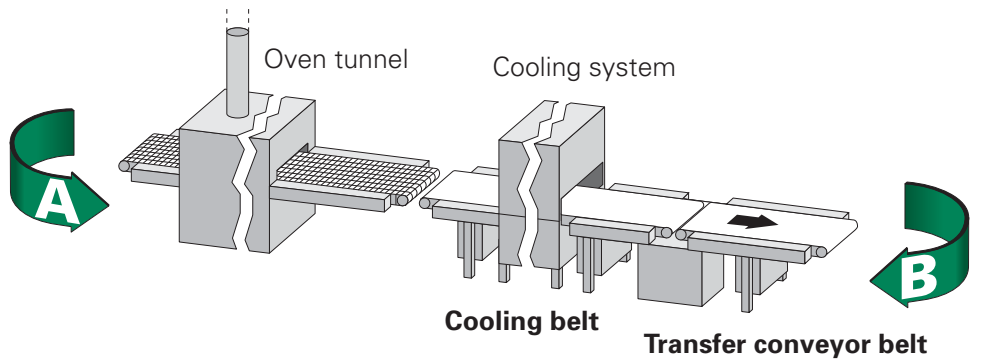
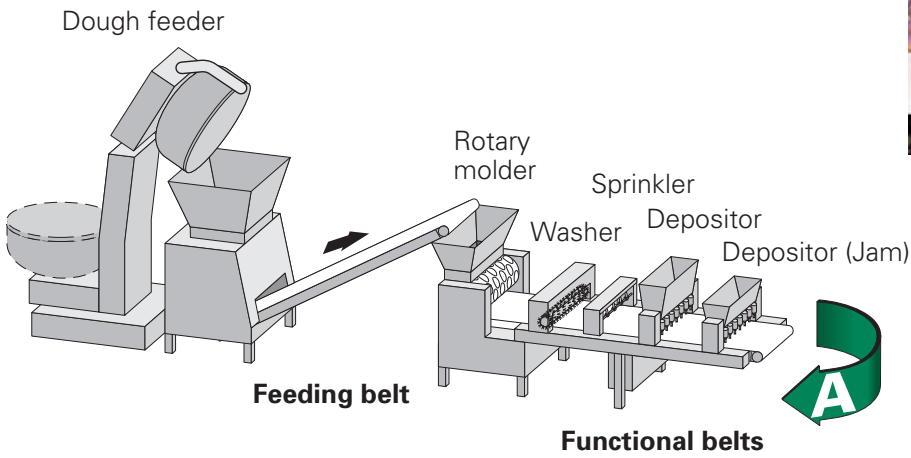
**Remark:** The drawings are schematic examples of selected applications / processes. The drawings do not claim completeness. The belt recommendations (use / application / layout) are only general suggestions. Due to the complexity of various processes, technical requirements and decisive external influences (e.g. nature or property of transported goods, process speed, steps of treatment / handling, environment or process temperature, humidity, chemicals, additives, ingredients, recipes, etc.) there are many possible solutions.

# Process / application overview (schematic)

## Biscuit manufacturing

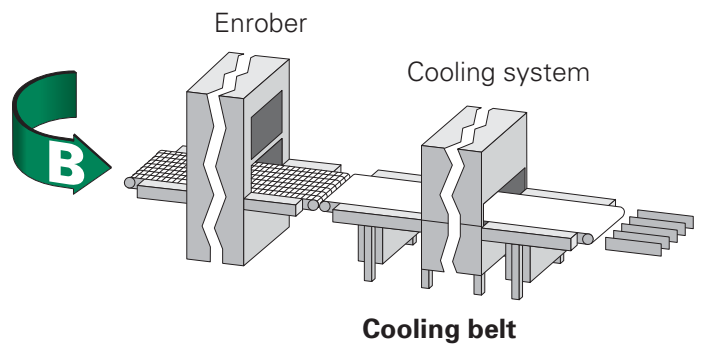
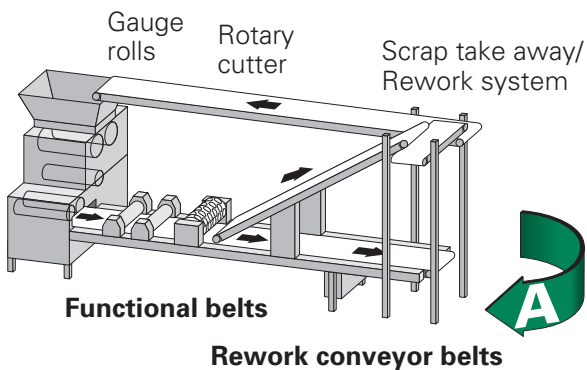


### Biscuits



### Crackers

Laminator for crackers

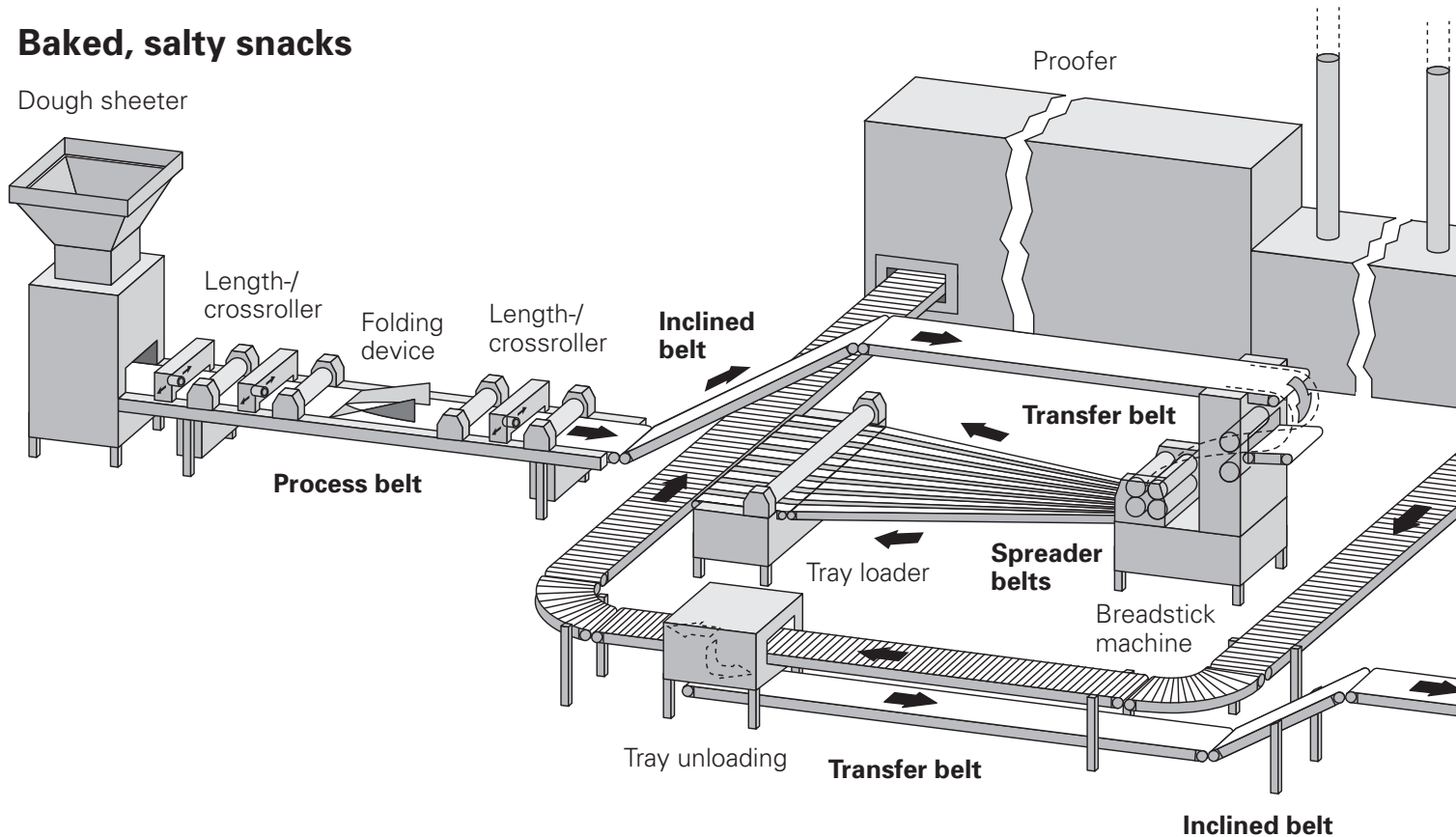


# Baked, salty snacks / Direct expanded snacks

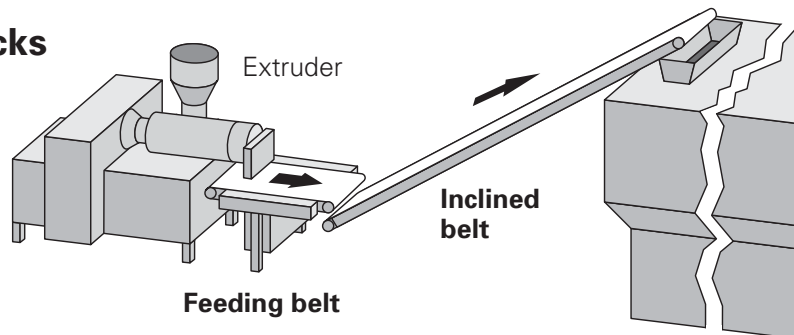


## Baked, salty snacks

Dough sheeter



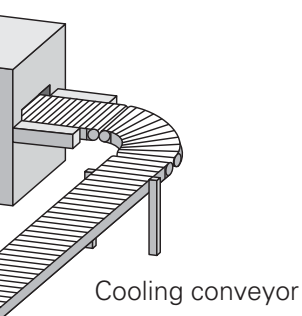
## Direct expanded snacks



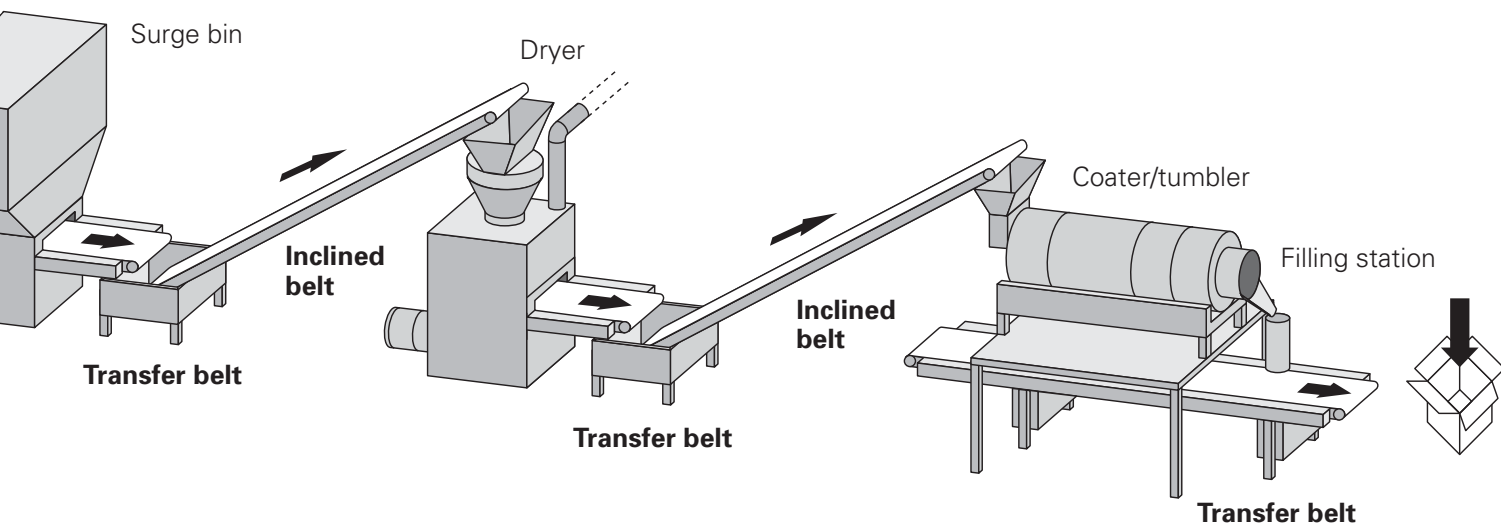
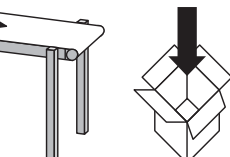
**Remark:** The drawings are schematic examples of selected applications / processes. The drawings do not claim completeness. The belt recommendations (use / application / layout) are only general suggestions. Due to the complexity of various processes, technical requirements and decisive external influences (e.g. nature or property of transported goods, process speed, steps of treatment / handling, environment or process temperature, humidity, chemicals, additives, ingredients, recipes, etc.) there are many possible solutions.



Oven



Transfer belt



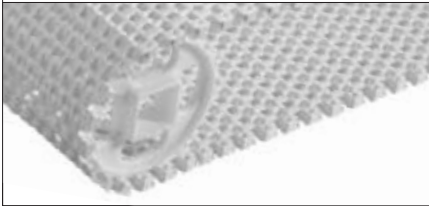
## The right choice

Habasisit has developed an extensive variety of solutions that allow customers to choose the best product for their specific application. Habasisit is the only belt supplier to manufacture and offer the full package of fabric based and plastic modular belts.

### Conveyor and processing belt ranges

Construction / Materials / Components variation

#### Plastic modular belts



PP  
(Polypropylene)

PE  
(Polyethylene)

POM/AC  
(Polyoxymethylene/Acetal)

PA and high temperature materials



Please consult product brochure 4178 HabasisitLINK®

#### Slat Top chains, Knuckle chains, Conveyor chains



POM (Polyoxymethylene)

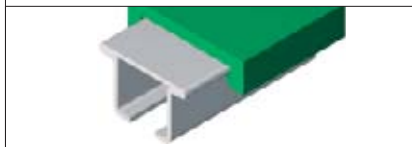
Glass reinforced PP

Special materials



Please consult product brochure 4122 HabasisitCHAIN®

#### HabiPLAST®

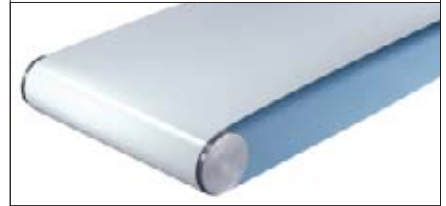


Guides for roller chains and belts



For details and further information please consult product brochure 4097 HabiPLAST®

#### Fabric belts



Fabric surface

TPU coated

TPO coated

PVC coated

Silicone coated

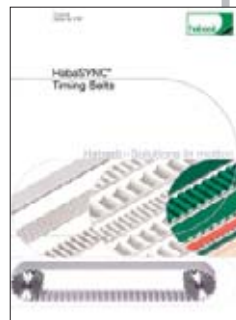
Non-woven belts

#### Timing belts



Polyurethane with steel cord tensile member

Polyurethane with aramide tensile member



For details and further information please consult product brochure 4107 HabasisitSYNC®

#### Gear motors



For further information please consult [www.rossimotoriduttori.it](http://www.rossimotoriduttori.it)

## Food conveyor belt surfaces

To fulfill a specific process step or a defined function the belt surface plays a key role. Based on surface structure and material inherent properties a multitude of function possibilities are given. See below some examples of the large variety of surface structures and properties.

Illustrations: Product view from top (running direction from left to right).

### Fabric based belts



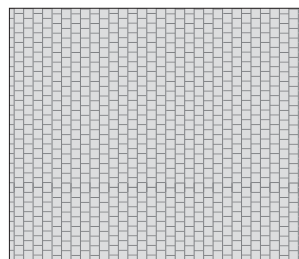
Blank surface  
(absolutely smooth)

Available belt surface properties

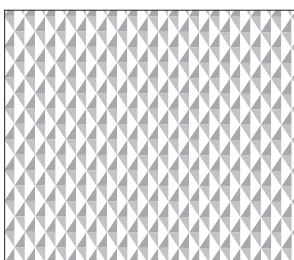
- **Super adhesive**
- **Adhesive**
- **Medium adhesive**
- **Non adhesive**



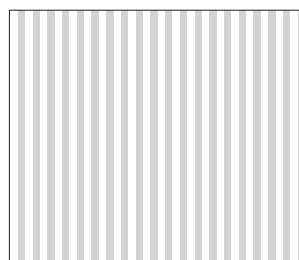
Fabric surface  
(fine structure)



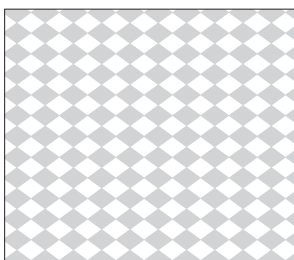
Fabric surface  
(rough structure)



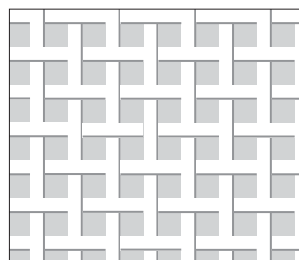
Waffle structure



Saw tooth profile  
structure



Diagonal  
rhomboid positive  
pattern / structure



Quadrillé (quadrangular)  
pattern / structure

### Plastic modular belts



Flat Top 0.5"



Flush Grid 0.5"



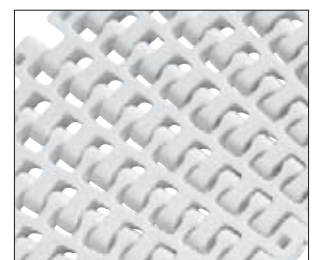
Flat Top 1"



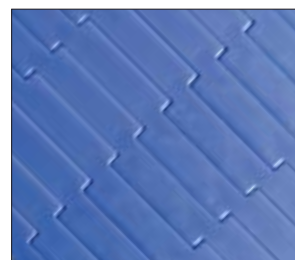
Diamond Top 1"



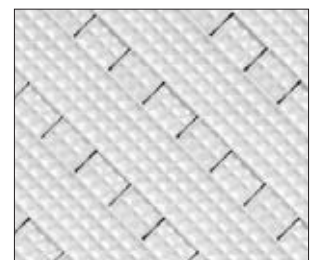
Flush Grid 1"



Radius Flush Grid 1"

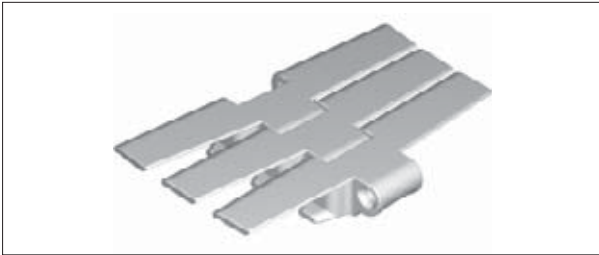


Micropitch

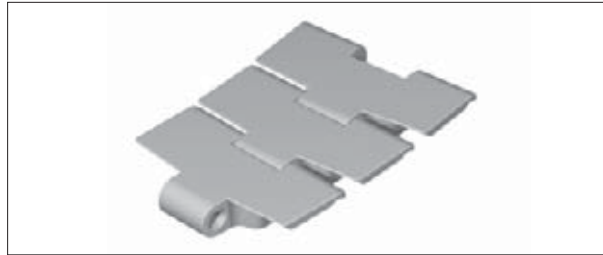


Texture Top 0.5"  
HDS 605TT

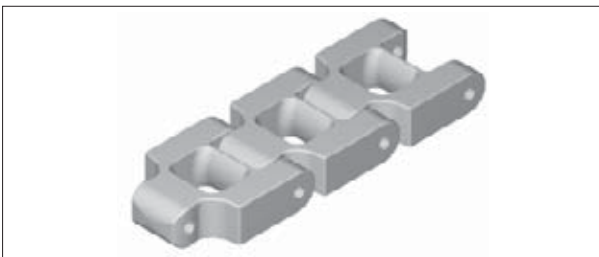
## Plastic chains



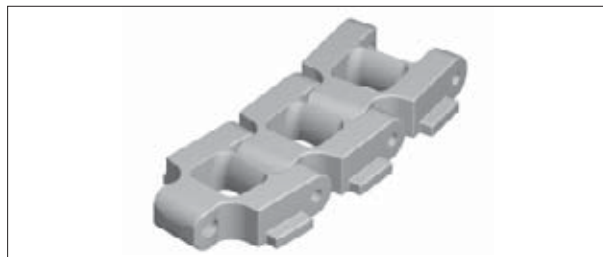
Slat Top (straight)



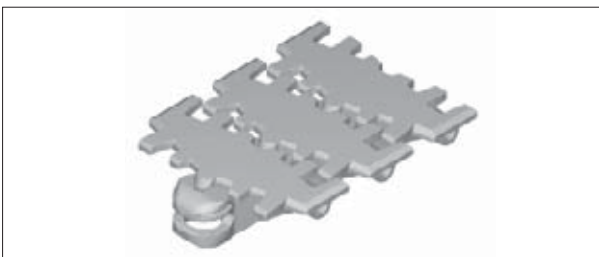
Slat Top Tab (radius)



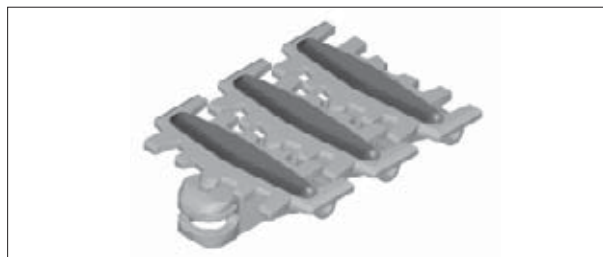
Knuckle Chain (straight)



Knuckle Chain (radius)



Conveyor Chain



Conveyor Chains (Grip Top)



Straight Low Backline Pressure Chain





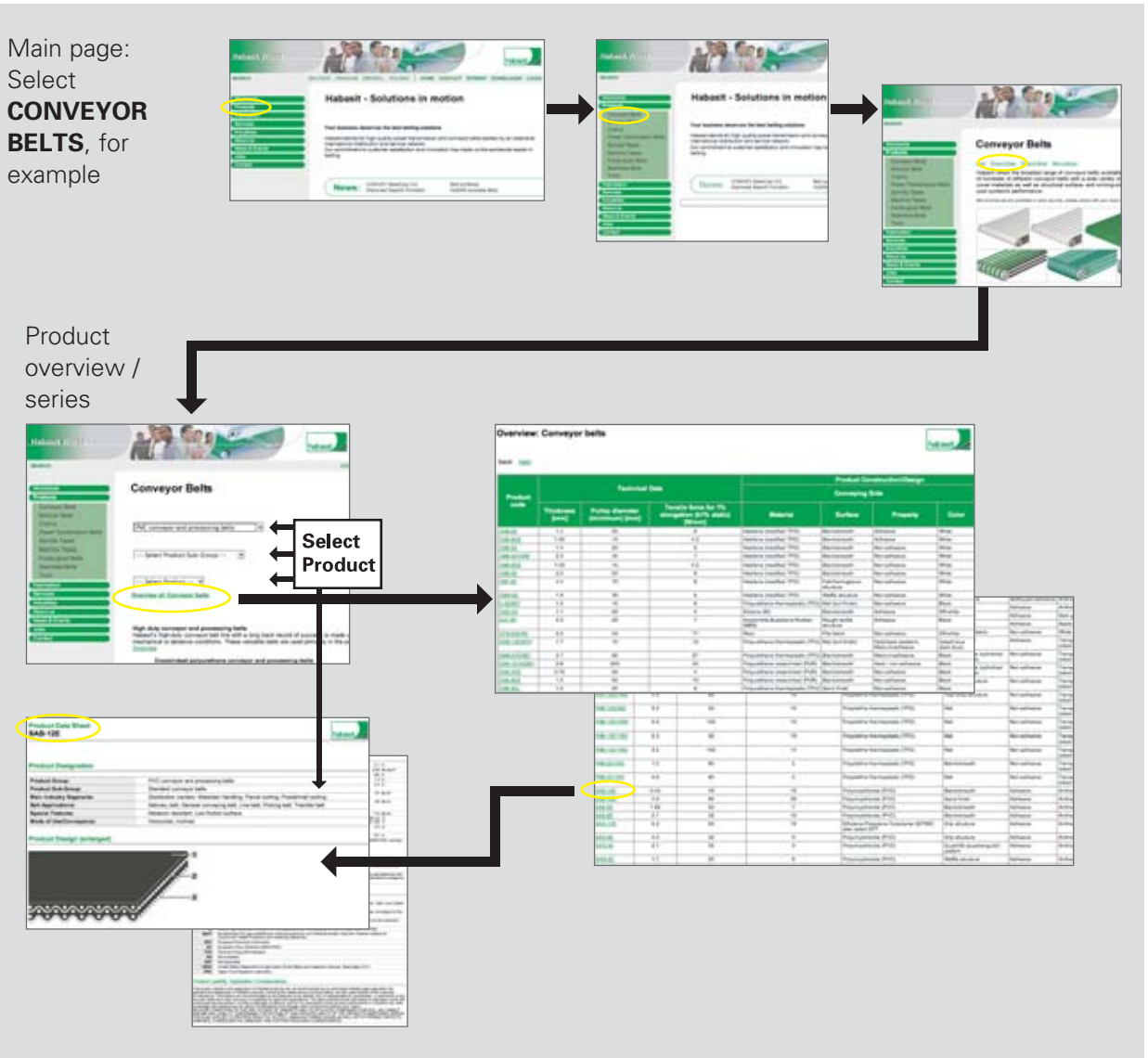




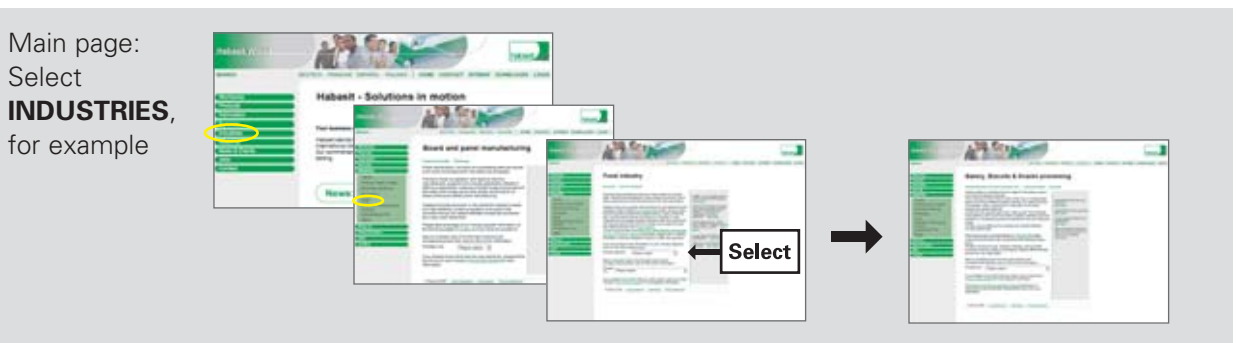
# In-depth Information Habasit Website

Additional information regarding products, use, application descriptions, technical key data and engineering notes may be found at:

**www.habasit.com** or **www.habasitlink.com**



## Further Information about the Bakery Industry



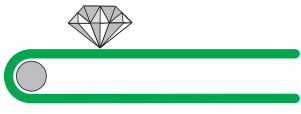
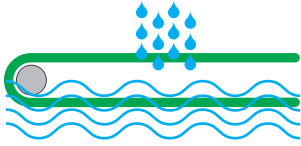
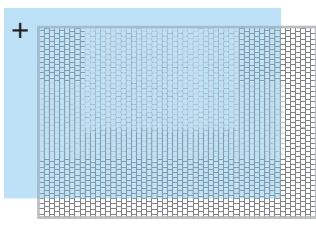
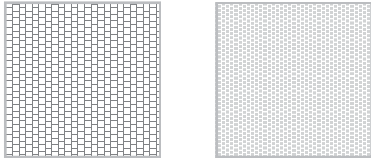

# Features and benefits

## Fabric based belts

### Fabric surface

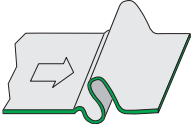

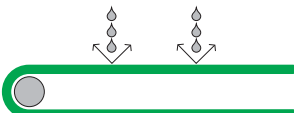
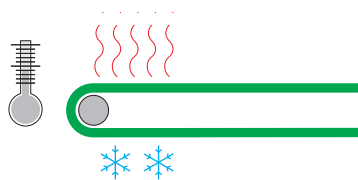
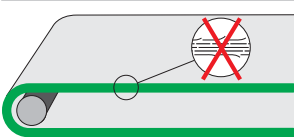
Food conveyor belts with fabric surfaces are often used in bakery applications. Depending on the consistency of a respective kind of dough, Habasit is offering different product constructions, including belts made from felt-like Non-Woven material (PET-fibres, needled and buffed construction).



	Features	Benefits
	<ul style="list-style-type: none"> <li>• <b>High strength</b></li> </ul>	<ul style="list-style-type: none"> <li>→ <b>Good wear/abrasion resistance</b></li> <li>→ <b>Long service life</b></li> </ul>
	<ul style="list-style-type: none"> <li>• <b>Dimension stability in water (PET fabrics)</b></li> </ul>	<ul style="list-style-type: none"> <li>→ <b>Water absorption, no elongation</b></li> <li>→ <b>Excellent tracking</b></li> </ul>
	<ul style="list-style-type: none"> <li>• <b>Impregnated fabric</b></li> </ul>	<ul style="list-style-type: none"> <li>→ <b>Less soiling</b></li> <li>→ <b>Reduced cleaning time/cost</b></li> <li>→ <b>Hygiene support</b></li> </ul>
	<ul style="list-style-type: none"> <li>• <b>Rough or fine surface structure</b></li> </ul>	<ul style="list-style-type: none"> <li>→ <b>Good release of raw dough</b></li> <li>→ <b>Best selection for different applications</b></li> </ul>
	<ul style="list-style-type: none"> <li>• <b>Mixed yarns</b></li> </ul>	<ul style="list-style-type: none"> <li>→ <b>Different solutions available depending on consistency of dough (oil, fat, moisture)</b></li> </ul>

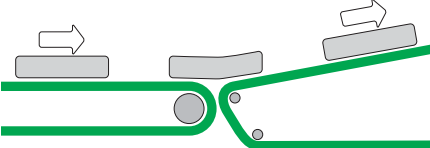
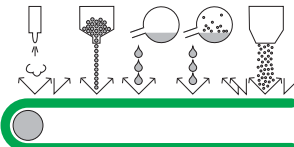

### TPU coating

TPU food conveyor belts combine many features that are supporting reliable and hygienic production processes. Habasit offers TPU belts in different constructions, different colors and different surface finishes.

	Features	Benefits
	<ul style="list-style-type: none"> <li>• <b>Longitudinal flexibility</b></li> </ul>	<ul style="list-style-type: none"> <li>→ <b>Smallest pulley diameters</b></li> <li>→ <b>Smooth and trouble free product transfer</b></li> </ul>
	<ul style="list-style-type: none"> <li>• <b>Calendered coating</b></li> </ul>	<ul style="list-style-type: none"> <li>→ <b>Closed, most homogeneous surfaces</b></li> <li>→ <b>Reduced soiling of conveyor belts</b></li> <li>→ <b>Good release properties</b></li> <li>→ <b>Increased hygiene</b></li> <li>→ <b>Wide range of blue TPU belts</b></li> </ul>
	<ul style="list-style-type: none"> <li>• <b>Oil and fat resistance</b></li> </ul>	<ul style="list-style-type: none"> <li>→ <b>Reliable transport</b></li> <li>→ <b>Long service life</b></li> </ul>
	<ul style="list-style-type: none"> <li>• <b>Temperature resistance</b></li> </ul>	<ul style="list-style-type: none"> <li>→ <b>Usable in low temperature environment and warm conditions without changing its features</b></li> <li>→ <b>High temperature belts product up to 100 °C available</b></li> </ul>
	<ul style="list-style-type: none"> <li>• <b>Non-fray and frayless fabrics</b></li> </ul>	<ul style="list-style-type: none"> <li>→ <b>Reduced risk of product contamination</b></li> <li>→ <b>Increased service life</b></li> </ul>

### Habilene® coating (Thermoplastic polyolefine = Habilene®)

Habilene® (a Habasit modified Polyolefine) is the newest development of Habasit which provides unique features among food conveyor belts.


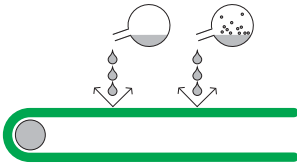

	Features	Benefits
	<ul style="list-style-type: none"> <li>• <b>Excellent release properties</b></li> </ul>	<ul style="list-style-type: none"> <li>→ <b>Excellent release of sticky products</b></li> <li>→ <b>Less soiling</b></li> <li>→ <b>Increased hygiene and product quality</b></li> <li>→ <b>Reduction of waste</b></li> </ul>
	<ul style="list-style-type: none"> <li>• <b>Very good chemical resistance</b></li> </ul>	<ul style="list-style-type: none"> <li>→ <b>Cleaning with aggressive chemicals, such as chlorine, possible</b></li> <li>→ <b>No surface damage due to cleaning agents</b></li> <li>→ <b>Longer service life</b></li> </ul>
	<ul style="list-style-type: none"> <li>• <b>Environmental friendly product construction</b></li> </ul>	<ul style="list-style-type: none"> <li>→ <b>Belts contain no glues or toxic chemicals</b></li> <li>→ <b>HACCP support, reduced risk of contamination</b></li> <li>→ <b>Lower belt disposal costs</b></li> </ul>

# Features and benefits

## Fabric based belts


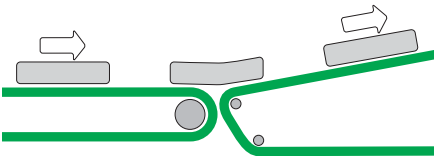
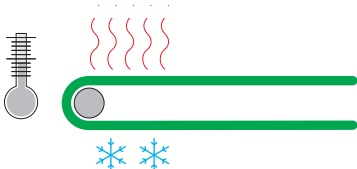
### PVC coating

PVC is widely used in food applications and is often a cost saving solution.

	Features	Benefits
	<ul style="list-style-type: none"> <li>• <b>General conveying</b></li> </ul>	<ul style="list-style-type: none"> <li>→ <b>Products for a wide variety of applications available</b></li> <li>→ <b>Cost saving solution</b></li> </ul>
	<ul style="list-style-type: none"> <li>• <b>Chemical resistance</b></li> </ul>	<ul style="list-style-type: none"> <li>→ <b>Cleaning with chlorine containing detergents possible</b></li> </ul>
	<ul style="list-style-type: none"> <li>• <b>HySAN® oil and fat resistant PVC</b></li> </ul>	<ul style="list-style-type: none"> <li>→ <b>Less extraction of plastiziers</b></li> <li>→ <b>Long service life</b></li> <li>→ <b>Improved abrasion resistance</b></li> <li>→ <b>Improved temperature resistance</b></li> </ul>

### High grade Silicone coating

New high duty food grade Silicone coating for demanding applications.

	Features	Benefits
	<ul style="list-style-type: none"> <li>• <b>Vulcanized coating</b></li> </ul>	<ul style="list-style-type: none"> <li>→ <b>Excellent abrasion resistance</b></li> <li>→ <b>Extended belt life</b></li> <li>→ <b>Smooth and textile structured surfaces</b></li> <li>→ <b>Super adhesive surface for steep incline/ decline</b></li> </ul>
	<ul style="list-style-type: none"> <li>• <b>Easy release properties</b></li> </ul>	<ul style="list-style-type: none"> <li>→ <b>Reliable transfer of sticky goods</b></li> <li>→ <b>Waste reduction</b></li> <li>→ <b>Hygiene support</b></li> </ul>
	<ul style="list-style-type: none"> <li>• <b>Elevated temperature resistance</b></li> </ul>	<ul style="list-style-type: none"> <li>→ <b>Temperature resistance up to 150°C or 180°C depending on belt construction</b></li> <li>→ <b>Extended belt life</b></li> <li>→ <b>Wider area of application</b></li> </ul>

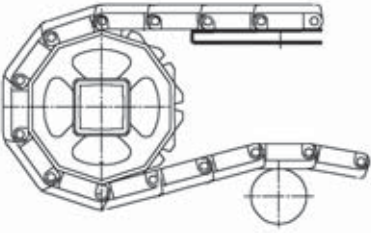
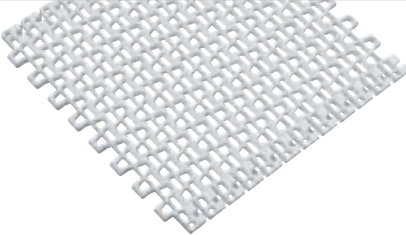


# Features and benefits

## Modular belts

### Plastic modular belts

Based on our comprehensive experience and our leadership position in fabric belting, Habasit has developed the HabasitLINK® modular belts range. Completely ejector mark free surfaces, rounded edges, smooth designs stand for state-of-the-art hygienic modular belting. This range was recently extended by integrating the KVP plastic modular belts, the pioneers in plastic modular spiral belting.



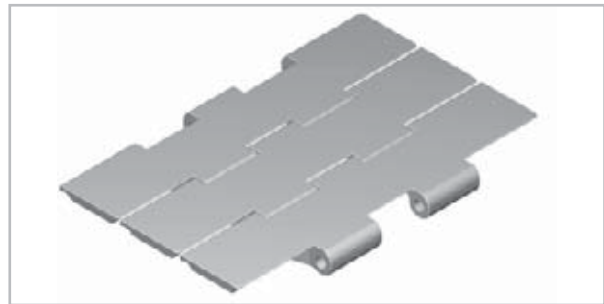
	Features	Benefits
	<ul style="list-style-type: none"> <li>• <b>Positive drive and tracking by positively engaged belt</b></li> <li>• <b>Guided belt alignment</b></li> </ul>	<ul style="list-style-type: none"> <li>→ <b>No need of tensioning devices</b></li> <li>→ <b>Reliable tracking</b></li> <li>→ <b>Elimination of belt edge damage</b></li> <li>→ <b>Simple system design</b></li> </ul>
	<ul style="list-style-type: none"> <li>• <b>Various open area belt styles</b></li> <li>• <b>Smooth rounded design</b></li> </ul>	<ul style="list-style-type: none"> <li>→ <b>Uniform and fast cooling</b></li> <li>→ <b>Air and water permeability</b></li> <li>→ <b>Easy release of sticky goods</b></li> <li>→ <b>Support of cleaning and sanitation measures</b></li> <li>→ <b>Higher productivity/throughput</b></li> </ul>
	<ul style="list-style-type: none"> <li>• <b>Radius and straight transport</b></li> <li>• <b>Strong design</b></li> </ul>	<ul style="list-style-type: none"> <li>→ <b>Longer runs without transfers</b></li> <li>→ <b>Less disorientation</b></li> <li>→ <b>Less product damage</b></li> <li>→ <b>KVP Spiral know-how enables process improvements</b></li> </ul>
<p> <b>PP =</b> Polypropylene  <b>PE =</b> Polyethylene  <b>POM/AC =</b> Polyoxymethylene / Acetal  <b>PA =</b> Polyamide  <b>HT and ST =</b> special Materials         </p>	<ul style="list-style-type: none"> <li>• <b>Large variety of plastic materials available</b></li> <li>• <b>High temperature materials available up to 240 °C</b></li> </ul>	<ul style="list-style-type: none"> <li>→ <b>Adaptation to process/application</b></li> <li>→ <b>Large temperature range suitable (pre oven, past oven applications)</b></li> <li>→ <b>PE = easy release</b></li> <li>→ <b>PE, PP = excellent chemical resistance</b></li> </ul>
	<ul style="list-style-type: none"> <li>• <b>Rough and rugged application suitable (frozen food)</b></li> </ul>	<ul style="list-style-type: none"> <li>→ <b>Heavy duty rod and belt material available</b></li> <li>→ <b>High lateral stiffness (e.g. for wide elevators)</b></li> </ul>




# Features and benefits

## Plastic Slat and Flex Chains

### Plastic chains

HabaCHAIN3 Pt is a high-quality range of new slat- and flat chain products from Habasit. HabaCHAIN® products are suitable for a wide range of applications in beverage, bakeries, packaging and many other industries.



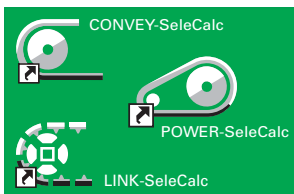
	Features	Benefits
	<ul style="list-style-type: none"> <li>• Positive drive and tracking</li> <li>• Various belt styles available</li> <li>• Wear resistance</li> <li>• Less noise generation</li> <li>• Precision of molds</li> </ul>	<p>→ Suitable for various food products and packages</p>
	<ul style="list-style-type: none"> <li>• Radius and straight transport</li> <li>• Robust design</li> <li>• Wear resistance</li> <li>• Less noise generation</li> <li>• Precision of molds</li> </ul>	<p>→ In general for leight-weight transport of goods</p>
	<ul style="list-style-type: none"> <li>• Suitable for linear and curve conveying on aluminum modular structure</li> <li>• Grip Top types available</li> <li>• Wear resistance</li> <li>• Less noise generation</li> <li>• Precision of molds</li> </ul>	<p>→ Retrofit on existing systems possible</p>

**Offering a comprehensive range of services is part of Habasit's belting solutions approach. We are committed partners of our customers, and we consider the sharing of knowledge and providing of support as an essential task. And this we offer:**



### **Consulting and technical support**

Habasit offers the best consulting and technical support on the belting market for fabric belts and plastic modular belts based on the experience and competence acquired in more than 60 years.



### **Belt selection and calculation**

For our customers we select and calculate the most suitable belt for a specific application. However, customers may do it themselves thanks to the state-of-the-art Habasit selection and calculation programs "SeleCalc". For ordering these programs free of charge simply call the nearest Habasit partner or contact: [info@habasit.com](mailto:info@habasit.com)

**CONVEY-SeleCalc** = Fabric conveyor belt selection and calculation

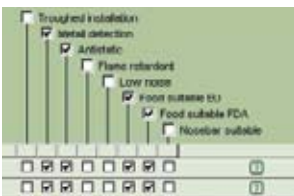
**LINK-SeleCalc** = Plastic modular belt selection and calculation

**POWER-SeleCalc** = Power transmission belt selection and calculation



### **Fabrication or installation**

We join fabric belts or install modular belts at our locations or on-site directly on the machine or on the system.



### **Shortest lead times**

Habasit AG owns 27 Affiliated Companies located in North America, Europe, Japan and Asia, each with own inventory, fabrication, assembling and service facilities. Together with our country managers, representative offices and a large number of qualified distributors we are in a position to react quickly, competently and reliably to customers' demands.



### **Installing service at hand**

We are where the customers are, and our committed staff is always available for their specific needs. We offer on-site installation on an international scale.



### **Testing at customer's site**

We are testing process functionality, alternative products, and variations of fabric belts or modular belts at the customer's site.



### **Legal and conformity check**

We are supporting our customers with respect to declaration issues, conformity issues, conformance with national laws/authorities like FDA, USDA, EU, etc.



### **Process optimization proposals**

We analyze processes together with the customer and submit proposals for optimization, e.g. added value for the machinery/process output, output increase.

### **Belt repair**

We have developed sophisticated repair methods and equipments with proven effectiveness.

### **Special belt fabrication**

We offer special fabrications, such as longitudinal joining, edge sealing, profile welding, guide profiles welding, hole punching, curve conveyor layout/cutting preparation, etc.



### **Joining tools and auxiliary equipment**

Fabric belt joining (fabrication) tools and handling/process auxiliary equipment are available.

### **Education / Training**

Habasit organizes programs and provides supporting tools to ensure optimal selection and use of our products and prolonging their life cycle. Fabrication, installing, assembling, maintenance and belt repair training is carried through at Habasit's or at customer's site.

### **Specific application knowledge transfer**

Habasit provides application specific knowledge transfer for process specific issues to allow for optimal use of our products and to optimize machinery and processes (e.g. cleaning, hygiene/sanitation).

## Customized services



### **Designing the future "Partner in Design"**

Habasit believes in partnership. For joint design developments our engineering team is looking for strong cooperation with the customer's engineering team, preferably at a very early stage. We offer this cooperation to large customers.

Co-design: We work together for success.



### **Testing for customer**

We offer our R&D expertise, laboratory and test equipment for the customer's specific process needs like mechanical endurance testing, chemical or thermal testing.



### **Belt monitoring / inspection**

A customizing Habasit service that includes maintenance, regular belt monitoring reports, regular review meetings with the responsible for process/production at customer's site.



### **Customized service agreements**

According to the specific needs of our customers we offer customized services like inventory, emergency service, belt exchange services or order/re-order management.

### **Project management**

We are experienced partners for belting project co-ordination on an international scale for globally operating customers.

**At Habasit, we listen to our customers, innovate continuously and deliver reliable solutions to meet your every need.**

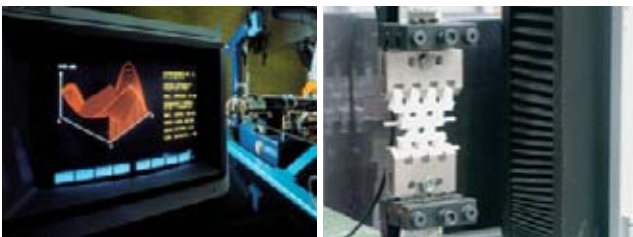
**Customers come first**

At Habasit we understand that our success depends on your success. This is why we offer solutions, not just products; partnership, not just sales. Since our foundation in 1946, Habasit has brought this understanding of customer needs to life every day and for every application. That's why we're the No. 1 in belting today. Worldwide.



**Committed to innovation**

Habasit is strongly committed to the continuous development of innovative, value-added solutions. Over 3% of our staff are dedicated exclusively to R&D, and our annual investment in this area exceeds 8% of turnover.



**Certified for quality**

We deliver the highest quality standards not only in our products and solutions, but also in our employees' daily work processes. Habasit AG is certified according to ISO 9001:2000.



**Worldwide leading product range**

Habasit offers the largest selection of belting, conveying, processing and complementary products in the industry. Our response to any request is nothing less than a specific, tailor-made solution.

A selection of our product ranges:



**HabaFLOW®**  
Fabric based conveyor and processing belts

**HabasitLINK®/KVP**  
Plastic modular belts

**HabaDRIVE®**  
Power transmission belts



**HabaSYNC®**  
Timing belts

**HabaCHAIN®**  
Chains (slat and conveyor chains)

**HabiPLAST®**  
Profiles  
Guides  
Wear strips



Machine tapes

Seamless belts

Round belts



Fabrication tools (joining tools)

Gear reducers  
Gearmotors  
Motion control

Electric motors

**Worldwide support**

Our extensive organization is ready to support you anywhere in the world. Engineering and emergency assistance, quotes and order status are just a phone call away. Wherever you are. Whenever you need us.

**For additional information please visit:**  
[www.habasit.com](http://www.habasit.com)

**Austria**

Habasit GmbH, Wien  
Phone: +43 1 690 66  
www.habasit.at

**Belgium**

Habasit Belgium N.V., Zaventem  
Phone: +32 2 725 04 30  
www.habasit.be

**Canada**

Habasit Canada Ltd., Oakville  
Phone: +1 905 827 4131  
www.habasit.ca

**China**

Habasit East Asia Ltd., Hong Kong  
Phone: +852 2145 01 50  
www.habasit.com.hk

Habasit (Shanghai) Co., Ltd.  
Shanghai

Phone: +8621 5488 1228  
Phone: +8621 5488 1218  
www.habasit.com.hk

**Czech Republic**

Habasit Bohemia spol. s.r.o., Brno  
Phone: +4205 41 421 651  
www.habasit.cz

**France**

Habasit France S.A.S., Mulhouse  
Phone: +33 389 33 89 03  
www.habasit.fr

**Germany**

Habasit Rossi GmbH,  
Eppertshausen  
Phone: +49 6071 969 0  
www.habasitrossi.de

**Hungary**

Habasit Hungária Kft., Esztergom  
Phone: +36 33 510 610  
www.habasit.hu

**India**

Habasit-Iakoka Pvt. Ltd., Coimbatore  
Phone: +91 422 262 78 79  
www.habasitiakoka.com

**Italy**

Habasit Italiana SpA  
Customer Care:  
Phone: 199 199 333  
For int. calls: +39 0438 911444  
www.habasit.it

**Japan**

Habasit Nippon Co. Ltd., Yokohama  
Phone: +81 45 476 03 71  
www.habasit.co.jp

**Latvia**

Habasit Baltic SIA, Daugavpils  
Phone: +371 54 074 88  
www.habasit.lv

**Netherlands**

Habasit Netherlands BV, Nijkerk  
Phone: +31 33 24 72 030  
www.habasit.nl

**New Zealand**

Habasit Australasia Ltd., Hornby  
Phone: +64 3348 5600  
www.habasit.co.nz

**Norway**

Habasit Norge A/S, Oslo  
Phone: +47 81 55 84 58  
www.habasit.no

**Poland**

Habasit Polska Sp. zo.o.,  
Dąbrowa Górnicza,  
Phone: +48 32 639 02 40  
www.habasit.pl

**Romania**

Habasit Import/Export Romania SRL,  
Bucuresti, Phone: +40 21 323 95 65  
www.habasit.ro

**Russia**

OOO Habasit Ltd., St. Petersburg  
Phone: +7 812 365 64 62  
www.habasit.ru

**Singapore**

Habasit Far East Pte. Ltd., Singapore  
Phone: +65 6862 55 66  
www.habasit.com.sg

**Spain**

Habasit Hispanica S.A.,  
Barberà del Vallès  
Phone: +34 93 719 19 12  
www.habasit.es

**Sweden**

Habasit AB, Hindas  
Phone: +46 301 226 00  
www.habasit.se

**Switzerland**

Habasit Schweiz, Reinach  
Phone: +41 61 715 15 75  
www.habasit.ch

**Taiwan**

Habasit Rossi (Taiwan) Ltd.  
Taipei Hsien  
Phone: +886 2 2267 0538  
www.habasit.com.tw

**Ukraine**

Habasit Ukraina, Vinnica  
Phone: +38 0432 58 47 35  
www.habasit.ua

**United Kingdom and Ireland**

Habasit Rossi (UK) Ltd., Silsden  
Phone: + 44 870 835 9555  
www.habasitrossi.co.uk

**USA**

Habasit Belting LLC,  
Suwanee, Georgia,  
Phone: +1 800 458 6431  
www.habasitusa.com

Habasit Belting LLC (HABT),  
Middletown, Connecticut,  
Phone: +1 860 632 2211  
www.habasitabt.com

KVP, Inc.,  
Reading, Pennsylvania,  
Phone: +1 610 373 1400  
www.kvp-inc.com

Rossi Motoriduttori is one of Europe's largest industry groups for the production and sale of gear reducers, gearmotors, inverters, standard and brake motors.

**ROSSI MOTORIDUTTORI**

Via Emilia Ovest 915/A  
41100 Modena – Italy  
Phone: +39 059 33 02 88  
Fax: +39 059 82 77 74  
www.rossi-group.com  
info@rossi-group.com

**Headquarters**

Habasit AG  
Römerstrasse 1  
CH-4153 Reinach, Switzerland  
Phone +41 61 715 15 15  
Fax +41 61 715 15 55  
E-mail info@habasit.com  
www.habasit.com

Registered trademarks  
Copyright Habasit AG  
Subject to alterations  
Printed in Switzerland  
Publication data:  
2005BRO.FOD-en0208HQR